

1. Before installation, please check the following :

- Check that the hatch can be fitted in the planned position. The maximum tolerance is +/- 1 mm
- Check that you don't damage anything in this area : Superstructure, electric cables, lamps, deck equipment and that it can be opened freely.

2. Mark the cut-out with a pencil using the lower frame of the hatch as a template. See cut-out dimension on the right hand side drawing. If ABS inner frame to be used add 3 mm to your pencil mark. Check this cut-out with the dimensions in the table above. Next cut out the deck.

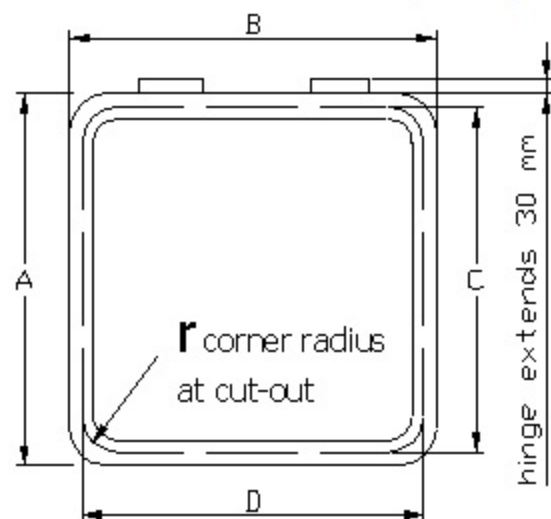
3. Place the hatch in the hole and check to see if it can be fitted. Place the ABS frame from the inside and cut the plastic frame extending beyond the flat surface above where the hatch be fitted from outside. A modelling knife may be used for cutting.

4. Before installation, clear away dust and clean the surface of the deck where you want to fit the hatch. Apply sealant to the inner surface of the lower frame. Fix the hatch with screw type M5. Surplus sealant must be taken off after drying.

5. Check than the hatch is operating well when opening, closing and locking.

6. Do not force to close the hatch unless the handles are totally in open position, otherwise you will break the locking part of the plastic handle.

7. This hatch needs low maintenance. It must be cleaned regularly with clean water. Do not use abrasive cleaners which may damage the appearance of the alloy or of the acrylic.



A and B OVERALL dimention
C and D CUTOUT dimention