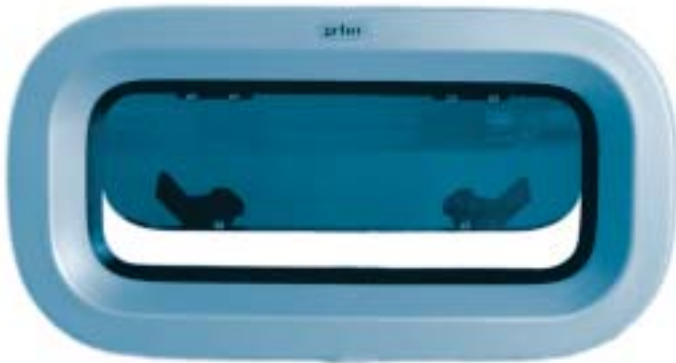


# Portlights EconoLine



## More quality for your money

### GEBO THROUGH AND THROUGH

Those familiar with Gebo standard and FlushLine portlights will recognise immediately the same qualities in the EconoLine range. The same high quality, non-corrosive materials. The same meticulous attention to detail. The same easy-installation design. And the same wide choice of colours and finishes.

### MORE QUALITY FOR YOUR MONEY

Compare a Gebo EconoLine portlight to other commonly specified portlights of a similar price, and you'll notice distinct differences. For example, the EconoLine portlight lid is formed not out of 6mm or 8mm acrylic, but of ultra-tough 10mm acrylic. Multi-position Gebo stepless hinges are used in order to provide maximum flexibility for the user.

### LESS FUSS FOR INSTALLERS

Whereas some comparable portlights come in kit form, with many pieces to install and fiddly trims to cut to size, EconoLine portlights feature the Gebo unique clamp system for the fastest, neatest finish.

Each EconoLine portlight is supplied with an aperture template to aid fitting. Our unique clamp system eliminates the need for hole drilling. For a perfect fit you simply screw the inner rim onto the back of the outer frame from the inside

*The EconoLine design is being recommended for building in the deck, coachroof, cockpit and transom. For applications in the hull please see our standard (rectangular and circular ended) portlights.*

#### CATEGORIE:

A + B + C + D

AREA II

See page 37

Gebo clamp system EconoLine portlights are suitable for wall thicknesses of 4 to 20mm

## Accessories



Portlight EconoLine



EconoLine, mosquito screen and rainshield



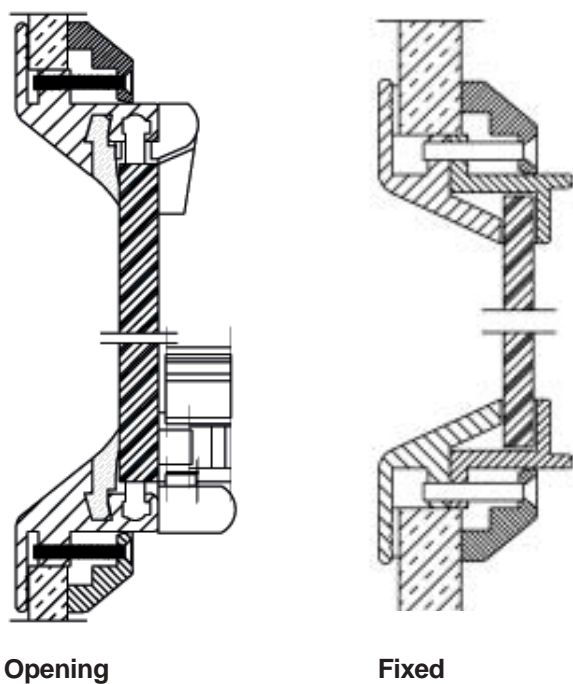


■ *Labour-saving design for superstructure fitting.*



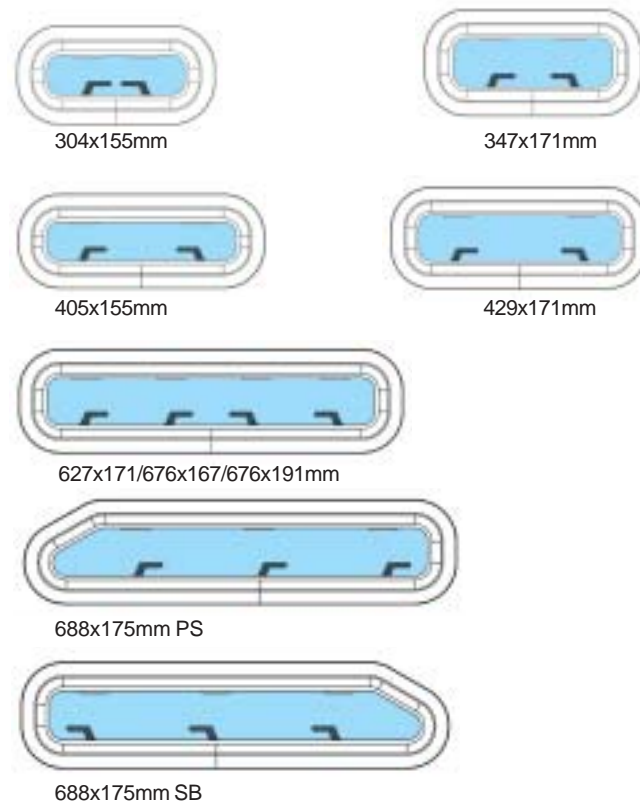
■ *Multiposition friction hinges for easier opening.*

### Profile EconoLine portlights



Gebo clamp system EconoLine portlights are suitable for wall thicknesses of 4 to 20 mm.

### Portlights, EconoLine - sizes



Portlights should be fitted to a flat surface with a maximum tolerance of 1 mm.

### PORTLIGHTS ECONOLINE - SPECIFICATIONS

Art.No.	Cut-out size L x B	Radius	Overall size L x B	Radius	Glass - see through	Mosquito screen	Rainshield
81.70.00.00 Opening	304x155mm	56	329x180mm	68	227x78mm	84.75.00.50	
81.70.00.05 Opening	347x171mm	56	372x196mm	68	270x94mm	84.75.00.52	84.85.00.52
81.70.00.10 Opening	405x155mm	56	430x180mm	68	328x78mm	84.75.00.53	
81.70.00.15 Opening	429x171mm	56	454x196mm	68	352x94mm	84.75.00.54	
81.70.00.20 Opening	627x171mm	56	652x196mm	68	550x94mm	84.75.00.55	
81.70.01.00 Opening	676x167mm	56	701x192mm	68	599x90mm	84.75.00.56	
81.70.01.01 Opening	676x191mm	56	701x216mm	68	599x114mm	84.75.00.57	
81.70.00.25 Opening PS	688x175mm	56	713x200mm	68	611x98mm		
81.70.00.30 Opening SB	688x175mm	56	713x200mm	68	611x98mm		
81.71.00.00 Fixed	304x155mm	56	329x180mm	68	240x91mm		
81.71.00.05 Fixed	347x171mm	56	372x196mm	68	283x107mm		
81.71.00.10 Fixed	405x155mm	56	430x180mm	68	341x95mm		
81.71.00.15 Fixed	429x171mm	56	454x196mm	68	365x107mm		
81.71.00.20 Fixed	627x171mm	56	652x196mm	68	563x107mm		
81.71.00.25 Fixed PS	688x175mm	56	713x200mm	68	624x111mm		
81.71.00.30 Fixed SB	688x175mm	56	713x200mm	68	624x111mm		

# Air suction ventilators (0,74 kW/=1 HP)



The GEBO Air Suction Ventilators are the perfect blend of form and function.

### UNIQUE AIR-POWERED DESIGN

This unique Gebo-developed design provides efficient engine compartment air management through a

powerful air suction unit that requires no power source whatsoever other than the air movement outside of the boat. There are no fans, no motors, and virtually no maintenance. When the craft is in motion, the unit simply extracts air from the engine compartment and replaces it with fresh air from outside the craft.

### CHOICE OF TWO FITTING SYSTEMS

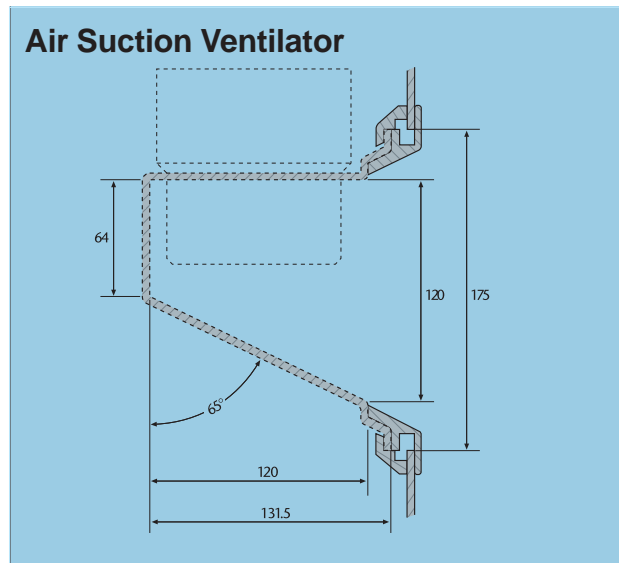
Two different systems are available: with inner rim for a fast, neat finish using the unique Gebo, labour-saving clamp system, or for screwing directly to the hull without inner rim.

### CLEAN AIR AND CLEAN LINES TOO

To preserve the clean lines of your design, Gebo Air Suction Ventilators are manufactured in exactly the same style and extrusions, and in the same wide choice of frame colours and finishes, as Gebo portlights.

### KEEPS WATER OUT

A special dorade box system, supplied as standard, ensures that any water that collects within the air suction mechanism can be directed out of the unit to the outside of the boat.



The powder coated version featured soldered joints for a smooth, high-quality appearance.

### Air suction ventilator - sizes



375x175mm

37kW/50HP



600x175mm circular ended

74kW/100HP

Air suction ventilators should be fitted to a flat surface with a maximum tolerance of 1 mm.

## AIR SUCTION VENTILATORS - SPECIFICATIONS

Description	Clamp system	Visibly screwed	kW/HP	RAL	Cut-out size	Radius	Overall size	Radius
blanc anodised	81.60.00.01		37/ 50		375x175mm	56	400x200mm	68
white coated	81.60.00.07		37/ 50	9010	375x175mm	56	400x200mm	68
black coated	81.60.00.08		37/50	9005	375x175mm	56	400x200mm	68
blanc anodised <b>C. ended</b>	81.60.50.00	81.60.02.00	74/100		600x175mm	88	625x200mm	100
white coated <b>C. ended</b>	81.60.51.00	81.60.01.00	74/100	9010	600x175mm	88	625x200mm	100
black coated <b>C. ended</b>	81.60.53.00	81.60.03.00	74/100	9005	600x175mm	88	625x200mm	100



# How to measure sizes

## Portlights:

### Take the following into account:

- Will the portlight open inward or outward?
- Is the portlight shape rectangular or circular ended?
- What is the total outside measurement?
- Portlights should be fitted to a flat surface with a maximum tolerance of 1mm over the length.

The cut out size is the total outside size minus 24mm. Rainshield and flyscreens are available for the portlights. They are listed according to cut out size.

## Hatches:

### Take the following into account:

- Hatches should be fitted to a flat surface with a maximum tolerance of 1mm.
- Take measurements of the cut out size in the deck.
- Will you have wood trim on the inside or not?
- When wood is not required on the inside, you may use a hatch with a flange.
- When you do require a wood trim on the inside or are replacing an existing (Gebo) flatbase hatch, we recommend a hatch without a flange.
- What is the radius of the corners?
- Flushline Hatches with a flange always have a corner radius 42

